
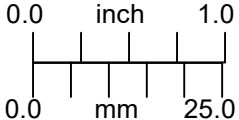
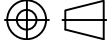
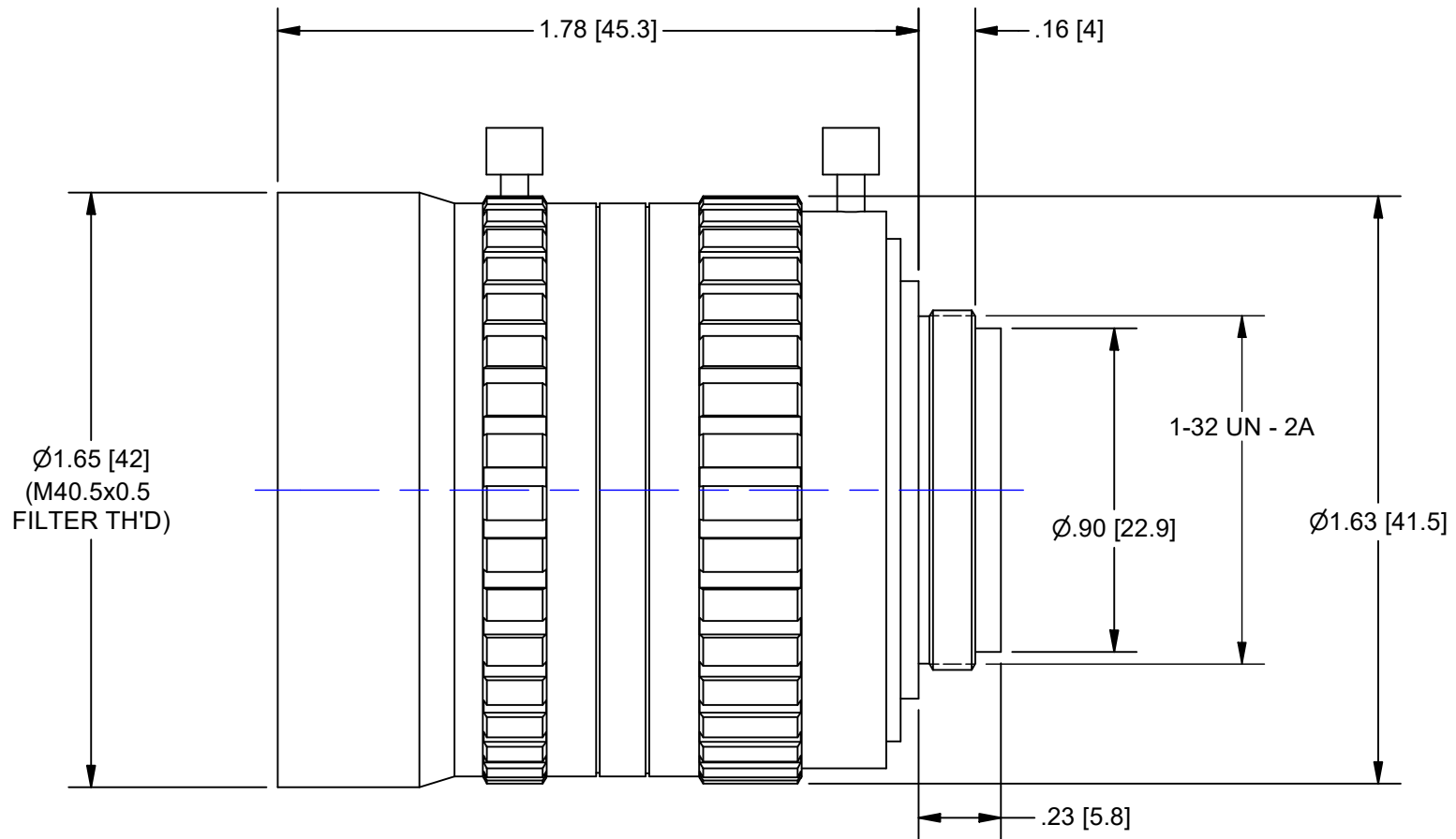

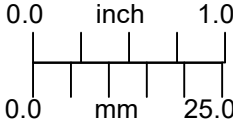

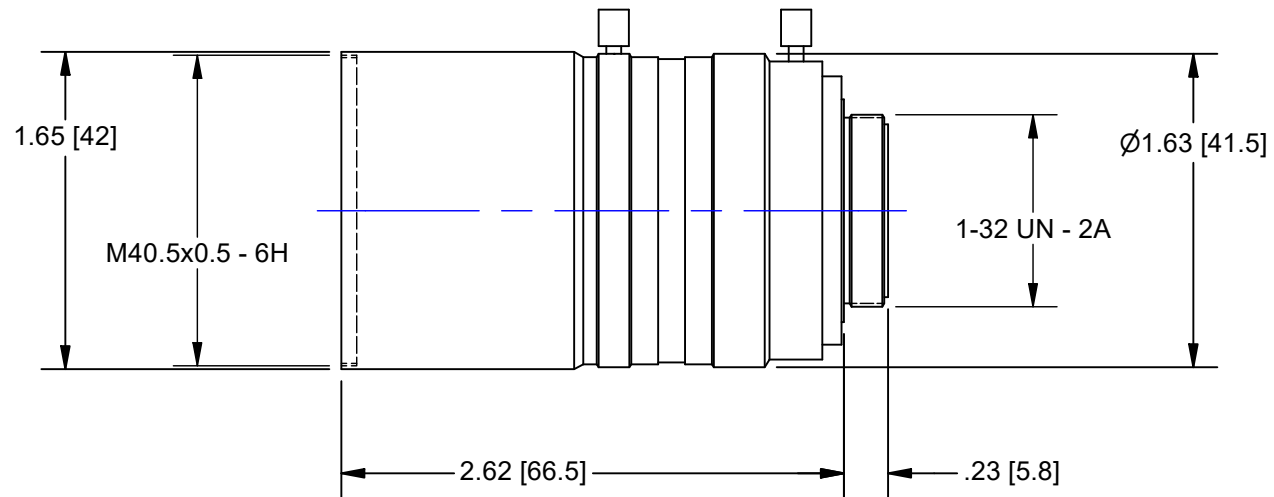
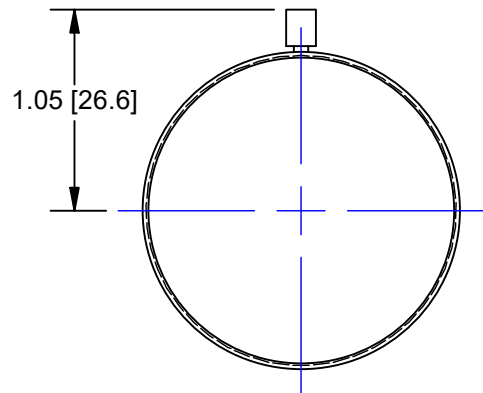


UNLESS OTHERWISE SPECIFIED DIMENSIONS ARE IN INCHES [MM] AND INCLUDE CHEMICALLY APPLIED OR PLATED FINISHES	PROPRIETARY AND CONFIDENTIAL				
SCALE: 1:1	THE INFORMATION CONTAINED IN THIS DRAWING IS THE SOLE PROPERTY OF NAVITAR. ANY REPRODUCTION IN PART OR AS A WHOLE WITHOUT THE WRITTEN PERMISSION OF NAVITAR IS PROHIBITED.				
WEIGHT: 470g			LENS, CCTV, 50mm, f/0.95		
DR BY: PODLENA					
CH BY:	DO NOT SCALE DRAWING		SIZE	DO-5095	REV
PROJECT #: DATE DR: 7/1/2009			A		


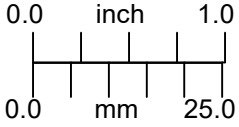



OUTLINE

UNLESS OTHERWISE SPECIFIED DIMENSIONS ARE IN INCHES [MM] AND INCLUDE CHEMICALLY APPLIED OR PLATED FINISHES		PROPRIETARY AND CONFIDENTIAL			
SCALE: 2:1		THE INFORMATION CONTAINED IN THIS DRAWING IS THE SOLE PROPERTY OF NAVITAR. ANY REPRODUCTION IN PART OR AS A WHOLE WITHOUT THE WRITTEN PERMISSION OF NAVITAR IS PROHIBITED.			
WEIGHT: 120g				LENS, CCTV, 25mm, F/0.95	
DR BY: BJC					
CH BY:		DO NOT SCALE DRAWING		SIZE A	DO-2595 SHEET 1 OF 1
PROJECT #:					
DATE DR: 1/12/2010					REV



OUTLINE

UNLESS OTHERWISE SPECIFIED DIMENSIONS ARE IN INCHES [MM] AND INCLUDE CHEMICALLY APPLIED OR PLATED FINISHES	PROPRIETARY AND CONFIDENTIAL			
SCALE: 1:1	THE INFORMATION CONTAINED IN THIS DRAWING IS THE SOLE PROPERTY OF NAVITAR. ANY REPRODUCTION IN PART OR AS A WHOLE WITHOUT THE WRITTEN PERMISSION OF NAVITAR IS PROHIBITED.			
WEIGHT: 162g		LENS, CCTV, 17mm, F/0.95		
DR BY: PODLENA				
CH BY:				
PROJECT #:	DO NOT SCALE DRAWING	SIZE	DO-1795	REV
DATE DR: 7/1/2009		A		