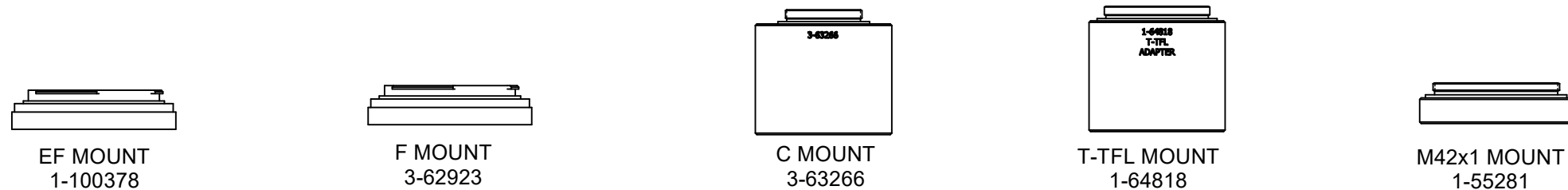
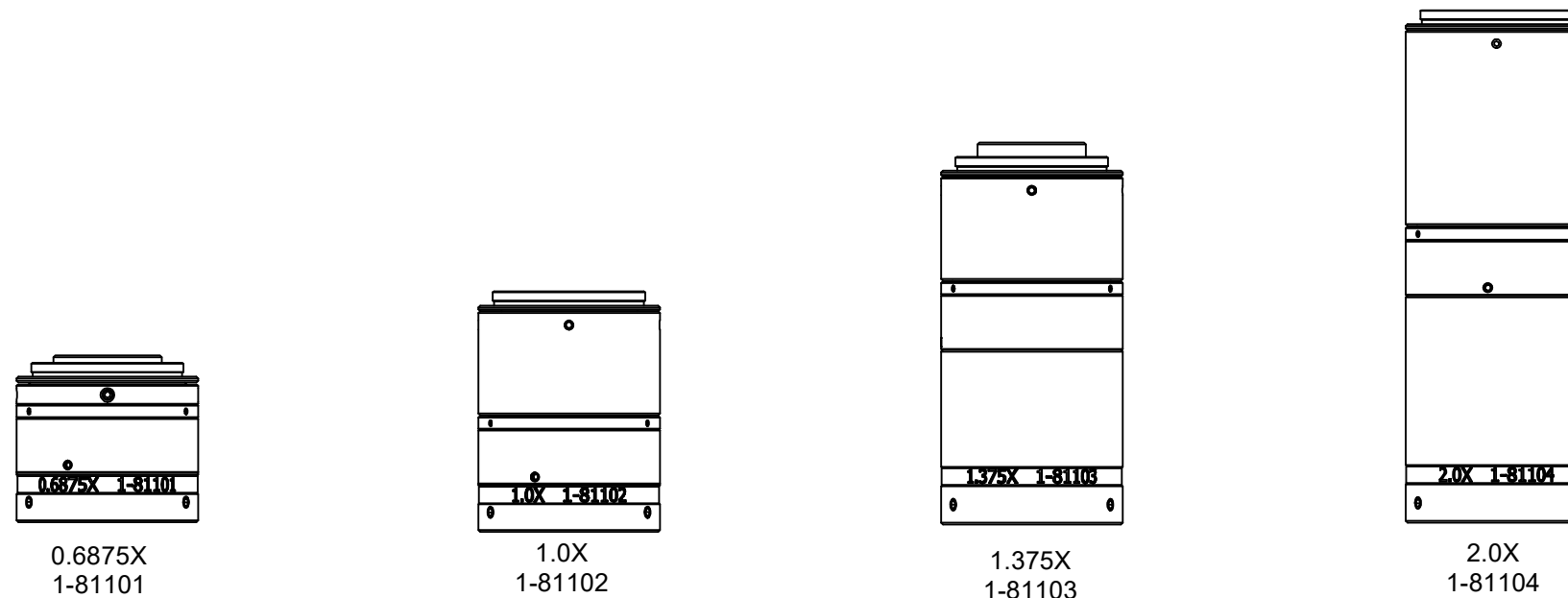


# RESOLV4K FIXED SYSTEM DIAGRAM

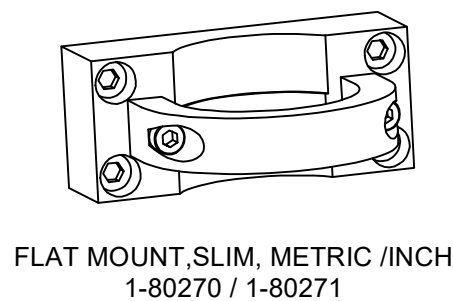
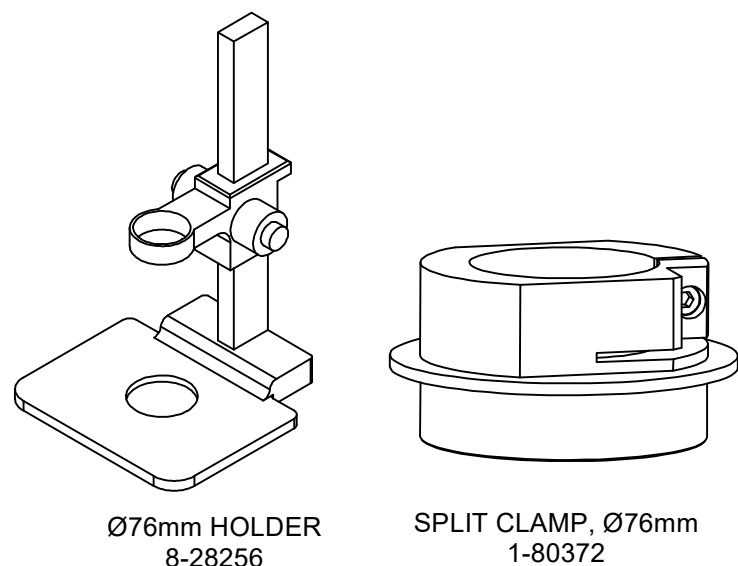
## CAMERA MOUNTS



## REAR ADAPTERS



## MOUNTING OPTIONS



## FIXED OPTIONS

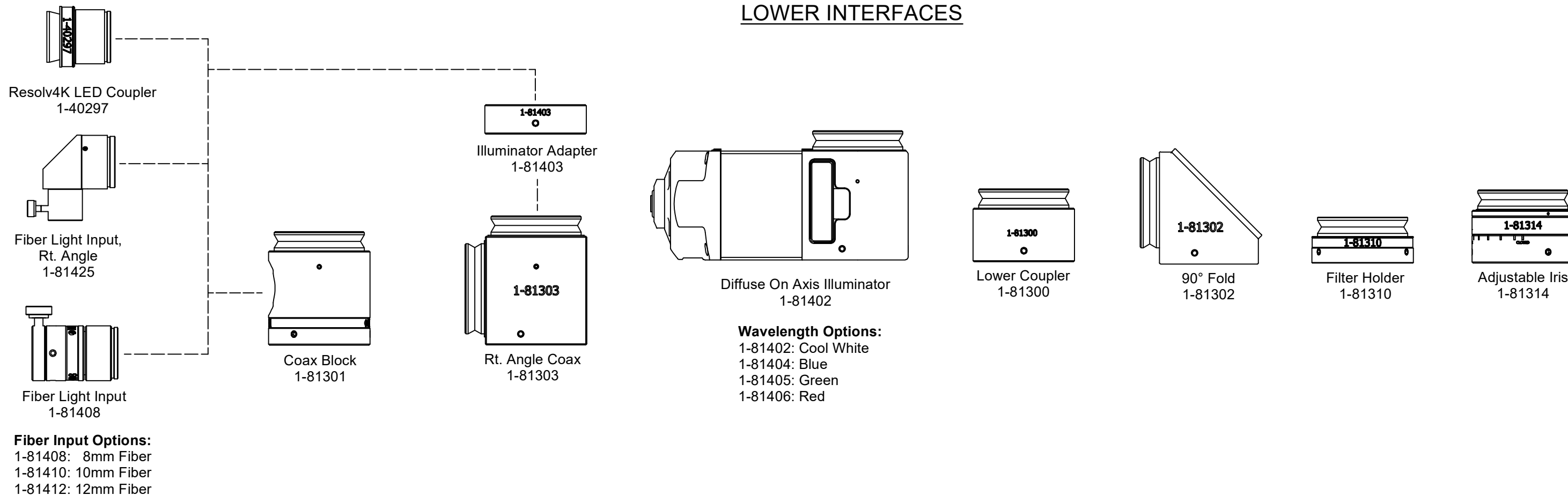


Resolv4K Fixed  
1-80800

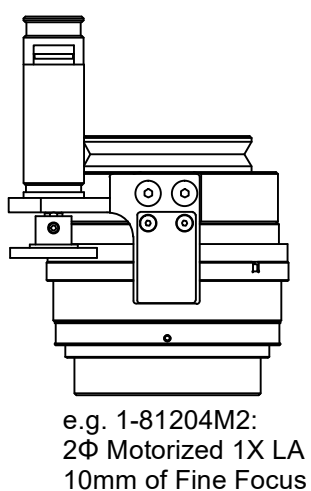
**Upper Interface Options:**  
 1-81302: 90° Fold  
 1-81310: Filter Holder  
 1-81314: Adjustable Iris  
 1-81303: Rt. Angle Coax\*

\*See your Navitar sales representative for details regarding your application.

## LOWER INTERFACES



## LENS ATTACHMENTS



**Fine Focus Options for Lens Attachments**  
 M1: Manual FF  
 M2: 2Φ Motorized FF  
 M3: Encoded Motor FF  
 M5: 5Φ Motorized FF

e.g. 1-81204M2:  
2Φ Motorized 1X LA

