

**Diffuse Light**

**High  
Homogeneity**

**Long lifetime**



**effiFD**

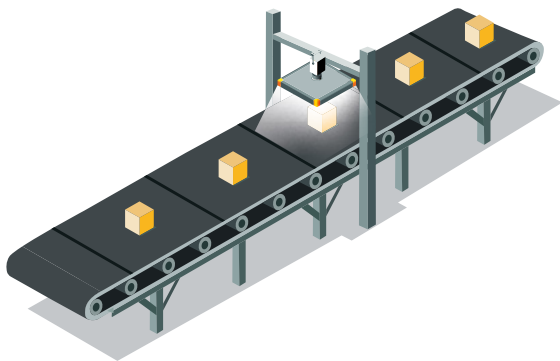
Flat Dome

# INTRODUCTION

## TABLE OF CONTENTS

<b>PART NUMBERING.....</b>	<b>PAGE 3</b>
<b>TECHNICAL SPECIFICATIONS.....</b>	<b>PAGE 4</b>
<b>OPTICAL SPECIFICATIONS.....</b>	<b>PAGE 5</b>
<b>ELECTRONICAL SPECIFICATIONS.....</b>	<b>PAGE 6</b>
<b>MECHANICAL SPECIFICATIONS.....</b>	<b>PAGE 8</b>
<b>ACCESSORIES.....</b>	<b>PAGE 10</b>
<b>CONTACT INFORMATION.....</b>	<b>PAGE 10</b>

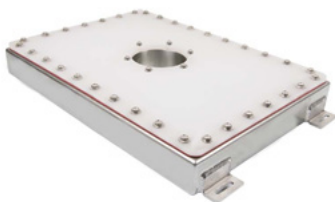
## APPLICATIONS



## RELATED PRODUCT

Refer to the datasheets of the products below for more details on those related products.

### **EFFI-FD-IP69K**



IP69K version for  
Food Industry & Washdown Environments

# PART NUMBERING

## STANDARD VERSION

EFFI-FD	- XXX	- YYY	- ZZZ	- VVVV
	<b>Optical width (mm)</b>	<b>Optical length (mm)</b>	<b>Wavelength (nm)</b>	<b>Connector</b>
	100	100	● 465 (Blue)	1M12
	150	150	● 525 (Green)	2M12
	200	200	● 625 (Red)	3M12
	...Every 50mm steps	...Every 50mm steps	● 850 (Infrared)	1M12P
	1500	1500	○ 000 (White 5700K)	2M12P

### IMPORTANT NOTES:

- YYY must be larger than XXX in the part number.

## AVAILABLE VERSIONS & OPTIONS

VERSION	
Power version S150 (3x output power)	EFFI-FD-XXX-YYY- <b>000</b> -VVVV ( <b>S150</b> ) Max duty cycle: 30% (mandatory) with max 1' time ON. Only available in white.
OPTICAL OPTIONS	
Polarizer (maximum size: 600-600)	EFFI-FD-XXX-YYY-ZZZ-VVVV- <b>POL2</b> Eliminate glare from the workpiece making it easier to acquire a suitable image for the application with no hot spot. Efflux also proposes a polarizer kit accessory to install the polarizer directly on top of the product: EFFO-FD-POL2-XXX-YYY-KIT
MECHANICAL OPTION	
Thin edges	EFFI-FD-XXX <b>T</b> -YYY-ZZZ-VVVV or EFFI-FD-XXX-YYY <b>T</b> -ZZZ-VVVV This option decrease the thickness on the side indicated with T in the part-numbering. Advantages: Less bulky / Thickness / Dust accumulation prevented (smooth walls). For dimensions larger than 1m, contact Efflux.
Hole diameter	EFFI-FD-XXX-YYY-ZZZ- <b>HH</b> -VVVV HH corresponds to the hole diameter (D50, D58, D65). Default hole is 39mm large (D39).

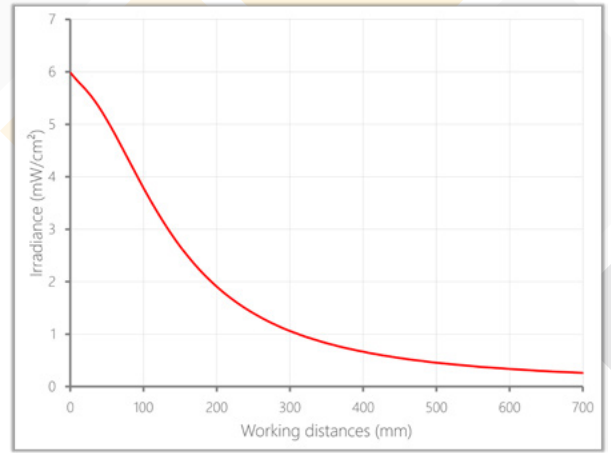
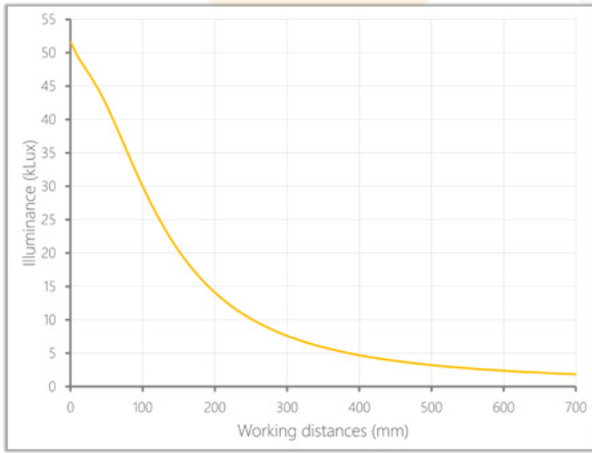
# TECHNICAL SPECIFICATIONS



<b>Illumination Mode</b>	Continuous with AIC (Analog Intensity Control) or Strobe mode	
<b>Wavelengths</b>	465nm, 525nm, 625nm, 850nm, White (5700K ±700K)	
<b>Power Supply</b>	24V DC	
<b>Connector(s)</b>	<b>M12 - 5 pins (x1, x2 or x3)</b>	<b>M12 Power - 4 pins (x1 or x2)</b>
<b>Power Consumption</b>	Related to the dimensions	
<b>Analog Intensity Control (AIC)</b>	The output optical power is adjustable from 20% to 100% by applying a signal from [5V-24V DC] Total voltage range [0V-24VDC] / Don't exceed 24V DC / Signal consumption: see table below.	
<b>Weight</b>	Related to the dimensions	
<b>Thickness</b>	43.2mm (40mm with thin edge option)	
<b>Dimensions</b>	Any multiple of 50mm starting at 100x100mm	
<b>Material</b>	Device body: Aluminum alloy & ABS	
<b>Fastener</b>	Built-in M6 T-nut slot profile	
<b>IP rating</b>	IP5X	
<b>Operation environment</b>	Temperature: 0°C to 50°C - Humidity: 20 to 85%RH (with no condensation) - Altitude: Up to 2000m	
<b>Storage environment</b>	Temperature: -20° to 60°C - Humidity: 20 to 85%RH (with no condensation)	
<b>Informations</b>	Overvoltage category I - Protective class III - Pollution degree 3	
<b>Regulations &amp; Marking</b>	CE - UKCA	
<b>Environmental Standards</b>	RoHS Directives (2011/65/EU, 2015/863/EU and China RoHS) - REACH Regulation - WEEE Regulation	
<b>Country of Origin</b>	France	

# OPTICAL SPECIFICATIONS

## OUTPUT POWER



— White 5500K — Red 625nm & IR850

The clear aperture is not represented on this graph as it can be neglected after a few mm, contact us for more information.

## POLARIZER

Using polarizer, on the Efflux light and on the camera, it is possible to eliminate glare from your workpiece making it easier to acquire a suitable image for the application.



EFFI-FD: no reflection



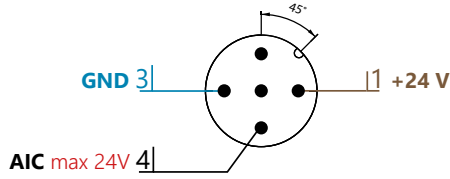
Bar light and neon light reflection

# ELECTRONICAL SPECIFICATIONS

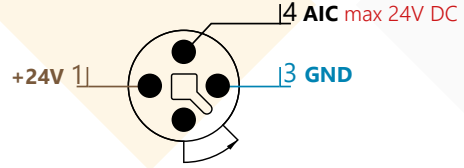
## CONTACT ARRANGEMENT

The EFFI-FD is supplied with 24V DC. Depending on the size, the EFFI-FD come with different types and numbers of connectors.

### M12 5pins - 1 input



### M12P 4pins - male connector



#### Important notes:

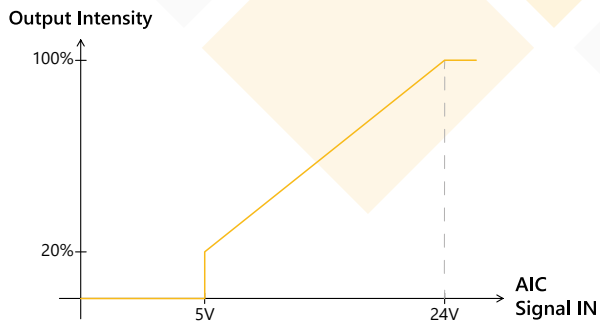
- The AIC pin needs to be connected.
- In the case of multiple connectors, the AIC (DIM) contact is in the first connector, the one closer to the edge (the AIC contact on the other connectors is not assigned).
- (\*) For the power version this pin is used for the strobe.

## POWER CONSUMPTION & CONNECTOR DEFINITION

		Optical length (mm)																				
		50	100	150	200	250	300	350	400	450	500	550	600	650	700	750	800	850	900	950	1000	1500
Optical width (mm)	50			10	10	10	15	15	15	20	20	20	25	25	25	30	30	30	35	35	35	55
	100		10	15	15	20	25	25	30	35	35	40	45	45	50	55	55	60	65	65	70	105
	150			20	25	30	35	40	45	50	55	60	65	70	75	80	85	90	95	100	105	155
	200				30	35	45	50	55	65	70	80	85	90	100	105	110	120	125	130	140	210
	250					45	55	60	70	80	90	95	105	115	120	130	140	150	155	165	175	260
	300						65	75	85	95	105	115	125	135	145	155	165	175	185	195	210	310
	350							85	100	110	120	135	145	160	170	180	195	205	220	230	240	360
	400								110	125	140	155	165	180	195	210	220	235	250	260	275	415
	450									140	155	170	185	205	220	235	250	265	280	295	310	465
	500										175	190	210	225	240	260	275	295	310	325	345	515
	550											210	230	245	265	285	305	320	340	360	380	565
	600												250	270	290	310	330	350	370	390	415	620
	650													290	315	335	360	380	405	425	445	670
	700														340	360	385	410	435	455	480	720
	750															385	415	440	465	490	515	770
800																440	470	495	520	550	825	
850																	495	525	555	585	875	
900																		555	585	620	925	
950																			620	650	975	
1000																				685	1030	
1500																					1540	

Electrical Power	Corresponding color	Amount & type of connectors
≤ 70W		1X M12
75W - 145W		2X M12 or 1X M12 Power
150W - 270W		3X M12 or 1X M12 Power
275W - 560W		2X M12 Power
> 560W		Specific configuration - contact EFFILUX for more information

# AIC: ANALOG INTENSITY CONTROL



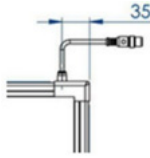
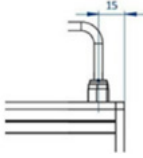


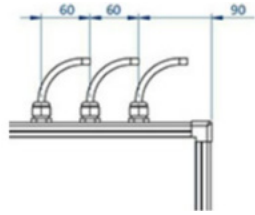
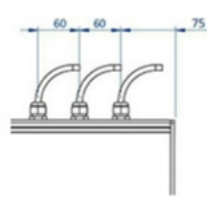
The output optical power of the EFFI-FD is adjustable from 20% to 100% by applying a signal from 0V to 24V on the AIC pin. The control range can be changed to 0-10V or 0-5V on request.

## AIC Signal consumption (mA)

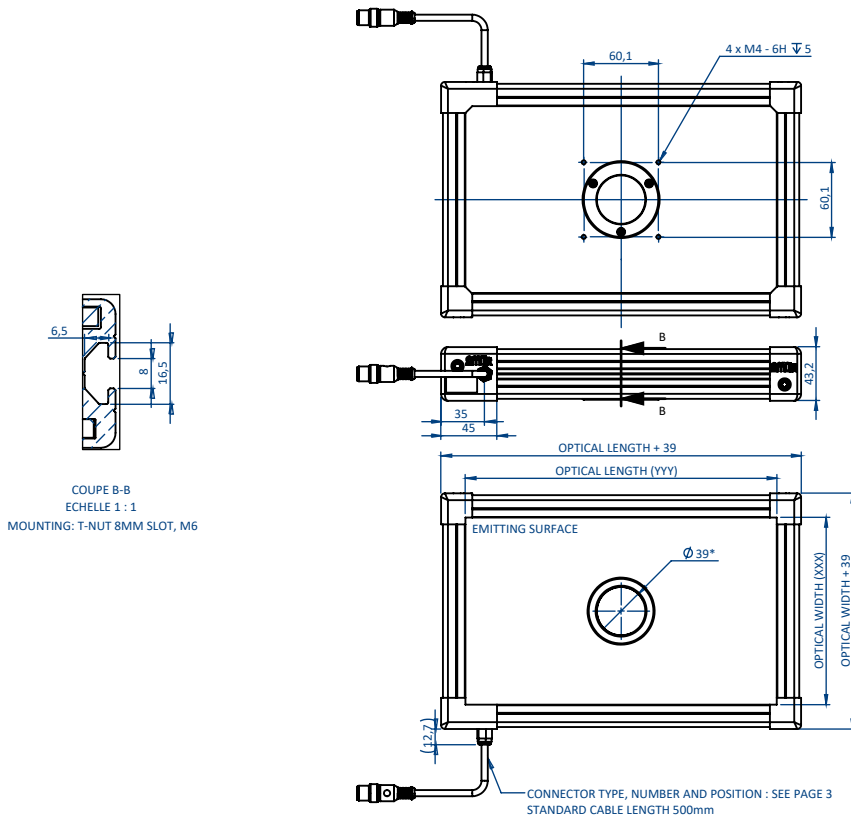
		Optical length (mm)							
		50	100	200	300	400	500	1000	1500
Optical width (mm)	50	0.3	0.6	1.2	1.8	2.4	3	6	9
	100		0.3	0.6	0.9	1.2	1.5	3	4.5
	150			1.8	2.7	3.6	4.5	9	13.5
	200			1.2	1.8	2.4	3	6	9
	250				3.6	4.8	6	12	18
	300				2.7	3.6	4.5	9	13.5
	500						7.5	15	22.5

# MECHANICAL SPECIFICATIONS

## CONNECTORS POSITIONS

Number of connectors	Connector type	Connector position(s)	
		EFFI-FD Standard: On the longest side	EFFI-FD Thin Edges: On the longest side with standard edges
1	M12 Standard	35mm from the edge of the product 	15mm from the edge of the product 
	M12 Power	90mm from the edge of the product 	75 mm from the edge of the product 
Many	M12 Standard or M12 Power	First 90mm connector Space between 2 cable glands: 60mm 	First 75mm connector Space between 2 cable glands: 60mm 

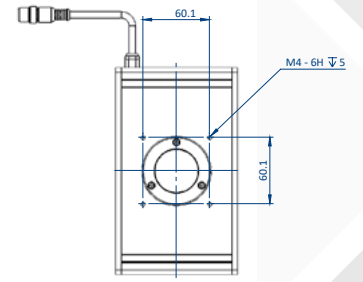
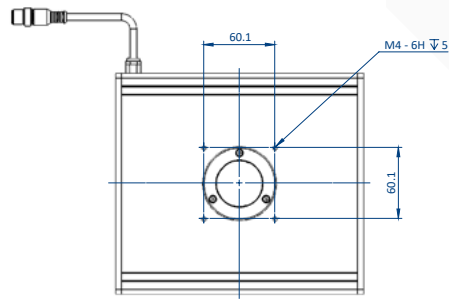
## STANDARD VERSION



# THIN EDGES VERSION

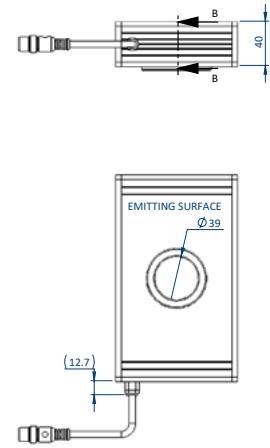
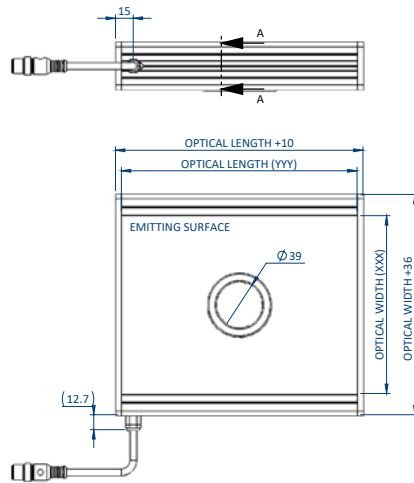
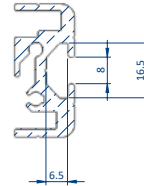
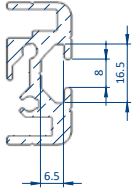
EFFI-FD-XXXT-YYY-ZZZ-HH-VVVV

EFFI-FD-XXX-YYYT-ZZZ-HH-VVVV



COUPE A-A  
ECHELLE 1 : 1  
MOUNTING: T-NUT 8MM SLOT m6

COUPE B-B  
ECHELLE 1 : 1  
MOUNTING: T-NUT 8MM SLOT M6



# ACCESSORIES

Please refer to the specific documentation for additional information on the accessories of the EFFI-FD



**Extension cables**

**M12**

2meters: EFFC-CAB-M12-FM-5-DD-L2  
 5meters: EFFC-CAB-M12-FM-5-DD-L5  
 10meters: EFFC-CAB-M12-FM-5-DD-L10

**M12P**

2meters: EFFC-CAB-M12P-FM-4-DD-L2  
 5meters: EFFC-CAB-M12P-FM-4-DD-L5  
 10meters: EFFC-CAB-M12P-FM-4-DD-L10



**Black collar**

EFFM-FD-COL-BLACK

**With camera polarizer**

EFFO-FD-POL-KIT-M40.5



**Fasteners**

T-Nut Kit M6: EFFV-BOLT-0011  
 Pivot joint not drilled: EFFM-1-0002  
 Bracket: EFFM-1-0017/19/21



**Camera mounting**

EFFM-1-HORI-STEEL-V2  
 EFFM-1-VERT-STEEL-V2



**Potentiometer**

EFFI-DIMMER  
 EFFI-DIMMER2

Note: The black collar is used in polarized configuration to hold the polarizer on the camera side.

# CONTACT INFORMATION

Please refer to the specific documentation (datasheet, user manual and drawing) for complementary information. Contents of this document are based on information available as of February-2025 and may be changed without prior notice.



EFFILUX  
 1, Rue de Terre Neuve  
 Mini Parc du Verger - Bâtiment E  
 91940 Les Ulis - FRANCE

Tel: +33 9 72 38 17 80  
 Fax: +33 9 72 11 21 69  
 Mail: sales@effilux.fr

Copyright 2022 Efflux - All rights Reserved



**Diffuse Light**

**IP69K**

**High homogeneity**

**Long lifetime**



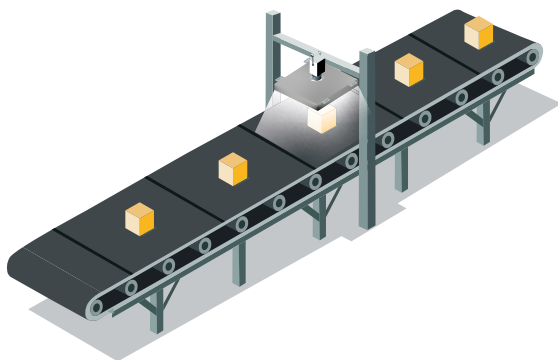
# effiFD-IP69K

Waterproof flatdome for food and chemical environment

## TABLE OF CONTENTS

PART NUMBERING.....	PAGE 3
TECHNICAL SPECIFICATIONS.....	PAGE 4
OPTICAL SPECIFICATIONS.....	PAGE 5
ELECTRONICAL SPECIFICATIONS.....	PAGE 5
MECHANICAL SPECIFICATIONS.....	PAGE 7
ACCESSORIES.....	PAGE 8
CONTACT INFORMATION.....	PAGE 8

## APPLICATIONS



### Inspection:

- Dimension control: Highlighting the edges of the object (maximum contrast between the background and the form).
- Absence/presence of holes.
- Liquid level control of bottle.
- Ideal for transparent and translucent materials (glass, fabric, printed circuit...).
- And many other machine vision applications.

### Robotics:

- Object location for pick and place.

## RELATED PRODUCT

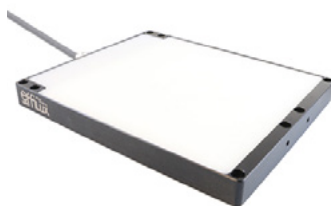
Refer to the datasheets of the products below for more details on those related products.

### EFFI-FD



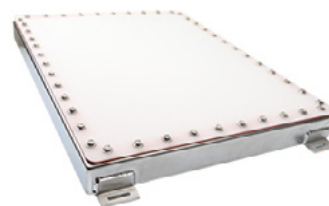
Flat Dome Light

### EFFI-SBL



Compact and robust IP67 backlight

### EFFI-BL-IP69K



IP69K version equivalent but without hole for camera

# PART NUMBERING

## STANDARD VERSION

EFFI-FD-IP69K	- XXX	- YYY	- ZZZ
	<b>Optical width (mm)</b>	<b>Optical length (mm)</b>	<b>Wavelength (nm)</b>
	200	200	● <b>465</b> (Blue)
	250	250	● <b>525*</b> (Green)
	300	300	● <b>625</b> (Red)
	...Every 50mm steps	...Every 50mm steps	● <b>850</b> (Infrared)
	600	600	● <b>940*</b> (Infrared)
			○ <b>000</b> (White 5700K)

### IMPORTANT NOTES:

- YYY must be larger than XXX in the part number.
- (\*) Only on request, contact EFFILUX.

## AVAILABLE VERSIONS & OPTIONS

VERSION	
Food version	EFFI-FD-IP69K- <b>FOOD</b> -XXX-YYY-ZZZ For food processing environment, the nickel-plated brass gland can be replaced with a stainless steel one.
ELECTRONICAL OPTION	
Power option (S150)	EFFI-FD-IP69K-XXX-YYY-ZZZ- <b>S150</b> Triples the power output but the maximum duty cycle for this option is 30%.
MECHANICAL OPTIONS	
5m cable length	EFFI-FD-IP69K-XXX-YYY-ZZZ- <b>L5</b> Default configuration: cable length 10 meters. This option reduces the length to 5 meters.
Venting option	EFFI-FD-IP69K-XXX-YYY-ZZZ- <b>V</b> Vent to equalize pressure and minimize condensation (not compatible with FOOD version).

# TECHNICAL SPECIFICATIONS

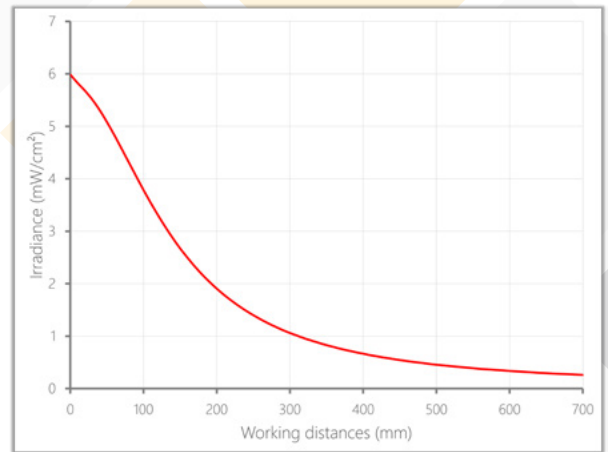
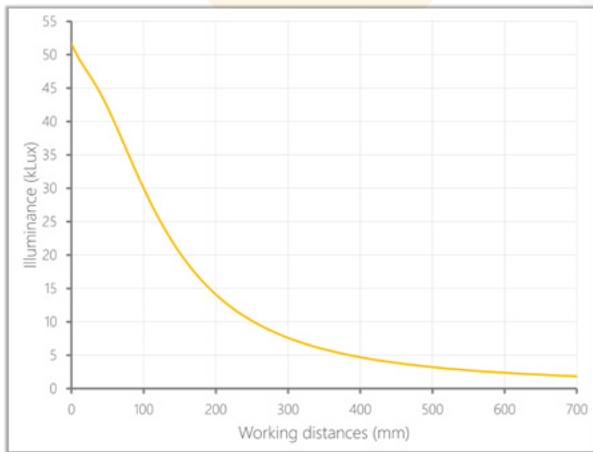
## effiFD-IP69K

<b>Illumination Mode</b>	Continuous with AIC (Analog Intensity Control)	
<b>Wavelengths</b>	465nm, 525nm*, 625nm, 850nm, 940nm*, White (5700K ±700K)	
<b>Power Supply</b>	24V DC	
<b>Connector(s)</b>	<b>Flying lead - 1 input</b>	<b>M12 - 5 pins</b>
<b>Power Consumption</b>	Related to the dimensions	
<b>Analog Intensity Control (AIC)</b>	The output optical power is adjustable from 20% to 100% by applying a signal from [5V-24V DC] Total voltage range [0V-24VDC] / Don't exceed 24V DC / Max. signal consumption: 23mA	
<b>Weight</b>	Related to the dimensions	
<b>Thickness</b>	35.6mm	
<b>Dimensions</b>	From 200mm x 200mm to 600mm x 600mm	
<b>Hole diameter</b>	70mm	
<b>Material</b>	Device body: Stainless Steel; Window: PMMA	
<b>Fastener</b>	4 holes (Ø 5.5mm / 20mm length)	
<b>IP rating</b>	IP68 & IP69K	
<b>Operation environment</b>	Temperature: 0°C to 40°C - Humidity: 20 to 85%RH (with no condensation) - Altitude: Up to 2000m	
<b>Storage environment</b>	Temperature: -20° to 60°C - Humidity: 20 to 85%RH (with no condensation)	
<b>Informations</b>	Overvoltage category I - Protective class III - Pollution degree 3	
<b>Regulations &amp; Marking</b>	CE - UKCA	
<b>Environmental Standards</b>	RoHS Directives (2011/65/EU, 2015/863/EU and China RoHS) - REACH Regulation - WEEE Regulation	
<b>Country of Origin</b>	France	

**Note:** (\*) Only on request, contact EFFILUX.

# OPTICAL SPECIFICATIONS

## OUTPUT POWER



— White 5500K — Red 625nm & IR850

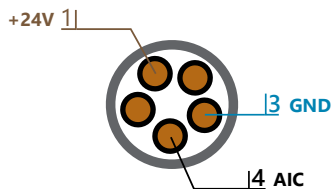
The clear aperture is not represented on this graph as it can be neglected after a few mm, contact us for more information.

# ELECTRONICAL SPECIFICATIONS

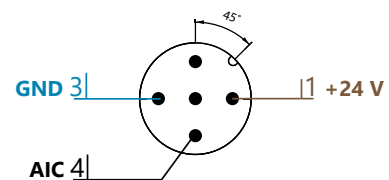
## WIRING LAYOUT

The EFFI-FD-IP69K is supplied with a 24V constant voltage. Please make sure that the flying leads output of the cable is in a sealed area. The AIC contact needs to be connected.

### Flying lead - 1 input (standard version)



### M12 5pins - 1 input (food version)



#### Important notes:

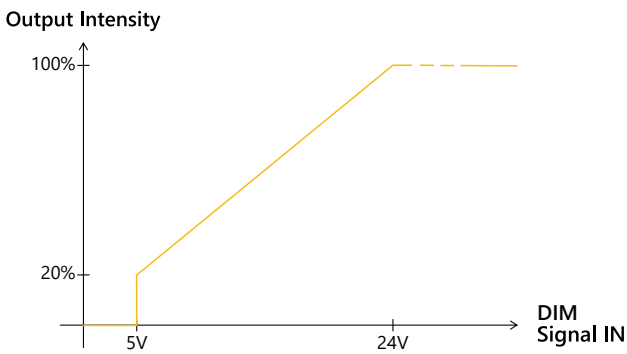
- The EFFI-FD-IP69K requires 24V DC input power.
- The AIC contact needs to be connected.
- The standard cable included is resistant to detergent, hot water, bio-oil, harsh environment and can be used outdoor.
- A M12-5pins connector is molded at the end of the FOOD cable contrary to the standard which is a flying lead.
- Please note that for the FOOD option above 500mm x 500mm the EFFI-FD-IP69K must be supplied with 2 cables.

## POWER SUPPLY

Please refer to below electrical power consumption table for the power of each product according to different dimensions. EFFI-FD-IP69K is supplied with a ÖLFLEX® ROBUST 210 cable. For specific configurations, please contact EFFILUX for more information.

		Maximum electrical power consumption @24V (W) for standard white EFFI-FD-IP69K				
		Optical width (mm)				
		200	300	400	500	600
Optical length (mm)	200	15	23	28	35	43
	300		33	43	53	63
	400			55	70	85
	500				88	110
	600					125

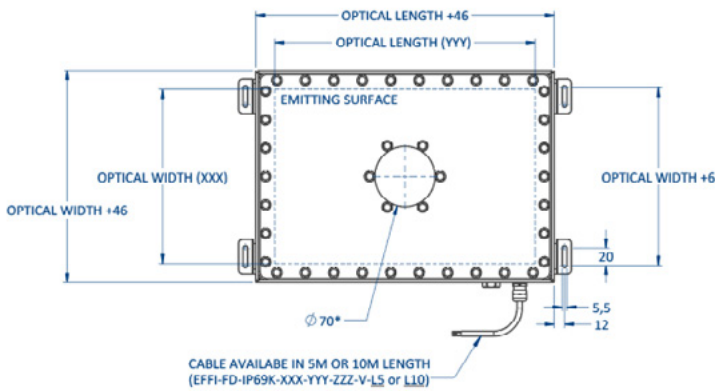
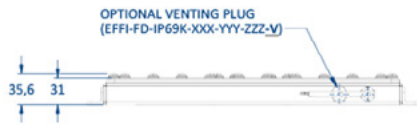
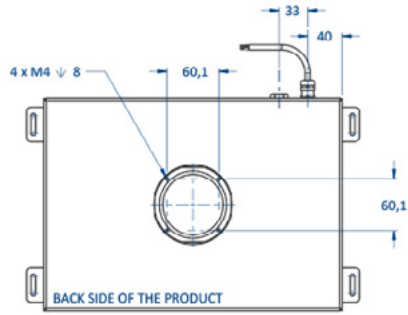
## AIC: ANALOG INTENSITY CONTROL



### AIC Signal consumption (mA)

		Optical width (mm)							
		50	100	200	300	400	500	1000	1500
Optical length (mm)	50	0.3	0.6	1.2	1.8	2.4	3	6	9
	100	0.6	0.3	0.6	0.9	1.2	1.5	3	4.5
	150	0.9	0.9	1.8	2.7	3.6	4.5	9	13.5
	200	1.2	1.2	1.2	1.8	2.4	3	6	9
	250	1.5	1.5	1.5	3.6	4.8	6	12	18
	300	3	0.9	0.9	2.7	3.6	4.5	9	13.5
500	3	1.5	1.5	4.5	6	7.5	15	22.5	

# MECHANICAL SPECIFICATIONS



## CABLE CONFIGURATIONS :

EFFI-FD-IP69K-XXX-YYY-ZZZ :



EFFI-FD-IP69K-**FOOD**-XXX-YYY-ZZZ :



## CAMERA HOLE OPTIONS

	EFFI-FD-IP69K-XXX-YYY-ZZZ-D30	EFFI-FD-IP69K-XXX-YYY-ZZZ-D39	EFFI-FD-IP69K-XXX-YYY-ZZZ-D58	EFFI-FD-IP69K-XXX-YYY-ZZZ-D70 (STANDARD)
Back side of the product (tapped holes)				

# ACCESSORIES

Please refer to the specific documentation for additional information on the accessories of the EFFI-FD-IP69K.



EFFI-DIMMER

EFFI-DIMMER2

# CONTACT INFORMATION

Please refer to the specific documentation (datasheet, user manual and drawing) for complementary information. Contents of this document are based on information available as of February-2025 and may be changed without prior notice.



EFFILUX  
1, Rue de Terre Neuve  
Mini Parc du Verger - Bâtiment E  
91940 Les Ulis - FRANCE

Tel: +33 9 72 38 17 80  
Fax: +33 9 72 11 21 69  
Mail: sales@effilux.fr

Copyright 2022 Efflux - All rights Reserved



**Convertible**

**Autostrobe  
feature**

**Flexible**

**Segmented light**

**High power**



# effiSRING

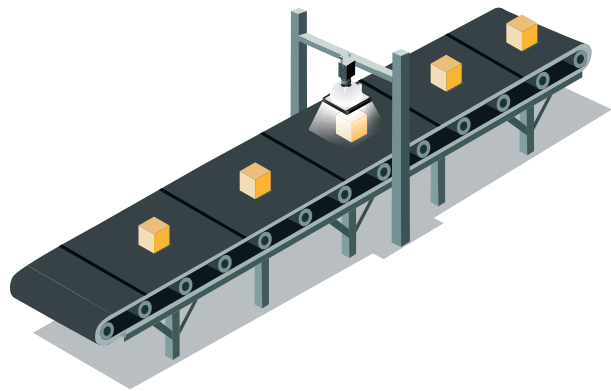
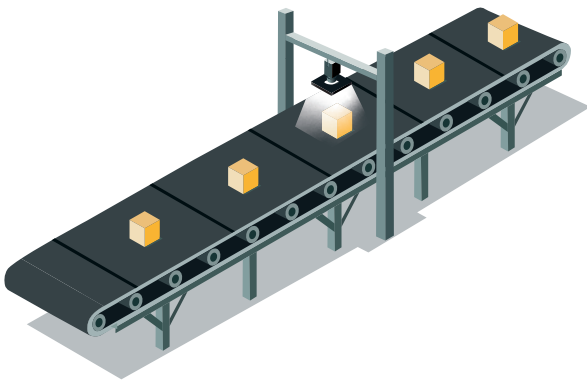
Compact and flexible ring with a small compact dome

# INTRODUCTION

## TABLE OF CONTENTS

PART NUMBERING.....	PAGE 3
GENERAL SPECIFICATIONS.....	PAGE 4
OPTICAL SPECIFICATIONS.....	PAGE 5
ELECTRONICAL SPECIFICATIONS.....	PAGE 6
MECHANICAL SPECIFICATIONS.....	PAGE 8
CONTACT INFORMATION.....	PAGE 10

## APPLICATIONS



## RELATED PRODUCT

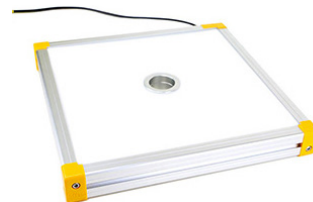
Refer to the datasheets of the products below for more details on those related products.

### EFFI-RING



Adjustable beam power ring

### EFFI-FD



Flat Dome Light

# PART NUMBERING

## STANDARD VERSION

EFFI-SRING	- XXX	- Z	- Z	- Z	- Z	WW
	Diameter of the LED ring (mm) 100	<b>CH1</b>	<b>CH2</b>	<b>CH3</b>	<b>CH3</b>	<b>Windows*</b>
		● B (Blue)	● B (Blue)	● B (Blue)	● B (Blue)	TR Transparent
		● G (Green)	● G (Green)	● G (Green)	● G (Green)	SD Semi-diffuse
		● R (Red)	● R (Red)	● R (Red)	● R (Red)	OP Opaline
		● IR (Infrared)	● IR (Infrared)	● IR (Infrared)	● IR (Infrared)	
		○ W (White)	○ W (White)	○ W (White)	○ W (White)	

**Notes:** If not specified, default opaline window.

## AVAILABLE VERSIONS & OPTIONS

### SDOME version

EFFI-SRING	- SDOME	- XXX	- Z	- Z	- Z	- Z	- WW
------------	---------	-------	-----	-----	-----	-----	------

- In this version, a small dome is added on top of the EFFI-SRING for a highly diffusive illumination.

### Continuous version

EFFI-SRING	- XXX	- Z	- Z	- Z	- Z	- WW	- CW
------------	-------	-----	-----	-----	-----	------	------

- In this version, the EFFI-SRing directly turns on at continuous intensity instead of the high power autostrobe.

### Polarizer option

EFFI-SRING	- XXX	- Z	- Z	- Z	- Z	- TR	- POL2
------------	-------	-----	-----	-----	-----	------	--------

- Using the Polarizer accessory, it is possible to eliminate glare from the workpiece making it easier to acquire a suitable image for the application with no hot spot.

### Diffuse film + polarizer option

EFFI-SRING	- XXX	- Z	- Z	- Z	- Z	- TR	- DIF-POL2
------------	-------	-----	-----	-----	-----	------	------------

- Use the diffuse film under the polarizer to eliminate even more the hot spots.

### Kit option

EFFI-SRING	- XXX	- Z	- Z	- Z	- Z	- TR	- KIT
------------	-------	-----	-----	-----	-----	------	-------

- This diffuser kit includes the different films and windows.
- It is also available with the SDOME version, it then includes the small dome to add on top of the EFFI-SRING.

# TECHNICAL SPECIFICATIONS



<b>Illumination Mode</b>	Strobe or continuous mode
<b>Wavelengths</b>	465nm, 525nm, 625nm, 850nm, White
<b>Power Supply</b>	24V DC
<b>Connector(s)</b>	<b>M12 - 8 pins</b>
<b>Power Consumption per Channel</b>	Depends of the wavelength
<b>Weight</b>	SRING: 300g SDOME: 750g
<b>Thickness</b>	SRING: 15mm SDOME: 69.9mm
<b>Material</b>	Device body: Aluminum; Windows: Acrylic
<b>Fastener</b>	Related to the dimensions
<b>IP rating</b>	IP5X
<b>Operation environment</b>	Temperature: 0°C to 40°C - Humidity: 20 to 85%RH (with no condensation) - Altitude: Up to 2000m
<b>Storage environment</b>	Temperature: -20° to 60°C - Humidity: 20 to 85%RH (with no condensation)
<b>Informations</b>	Overvoltage category I - Protective class III - Pollution degree 3
<b>Regulations &amp; Marking</b>	CE - UKCA
<b>Environmental Standards</b>	RoHS Directives (2011/65/EU, 2015/863/EU and China RoHS) - REACH Regulation - WEEE Regulation
<b>Country of Origin</b>	France

# OPTICAL SPECIFICATIONS

## ILLUMINATED SPOT DIAMETER<sup>(1)</sup> VS WORKING DISTANCE

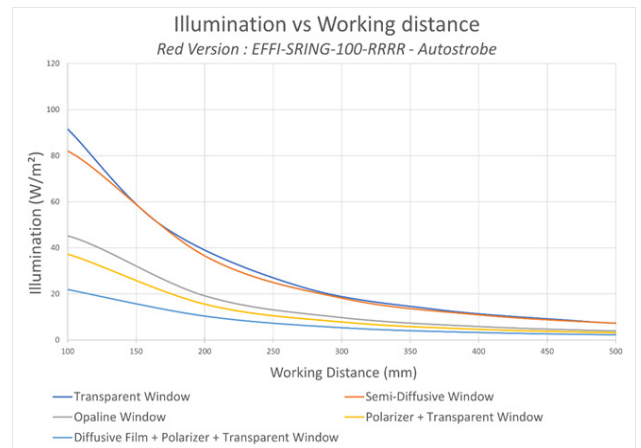
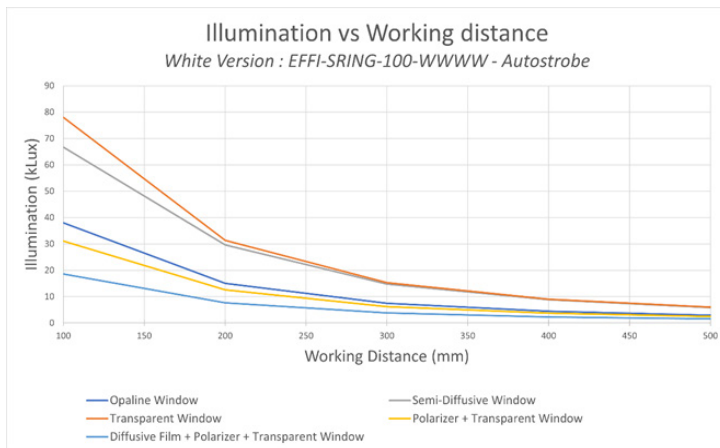


(1): From 50% to 100% of the peak value of illumination

## ILLUMINATION VS WORKING DISTANCE

### Notes:

- Maximum illumination at the center of the spot
- Ratio between overdrive strobe mode and continuous mode : X4

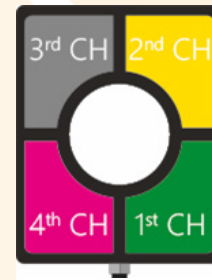
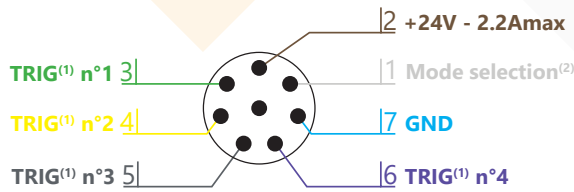


Color	INFRARED (850nm)	RED (625nm)	GREEN (525nm)	BLUE (465nm)
Power factor between the different wavelength	X2.3	X2	X1	X1.1

# ELECTRONICAL SPECIFICATIONS

## CONTACT ARRANGEMENT

### M12 8pins - male connector



#### Notes:

- (1): max 24V
- (2): To select between PNP and NPN mode. If the pin 1 «Mode selection» is:  
 Not connected: PNP mode → Light ON when  $V_{TRIG} > 2.5V$   
 Connected 24V: NPN mode → Light ON when  $V_{TRIG} < 1V$
- The EFFI-SRing / EFFI-SDome requires 24V DC input power.
- The trigger pin of each channel needs to be connected either to the 24V DC signal for Continuous mode or to a PNP Trigger signal for Overdrive strobe mode.

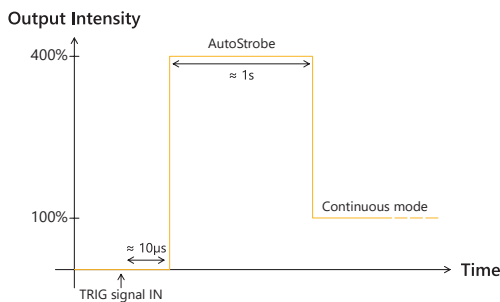
## POWER CONSUMPTION (BASED ON WHITE LED)

Peak power in autostroke	Continuous
45W	10W

## SIGNAL CONSUMPTION

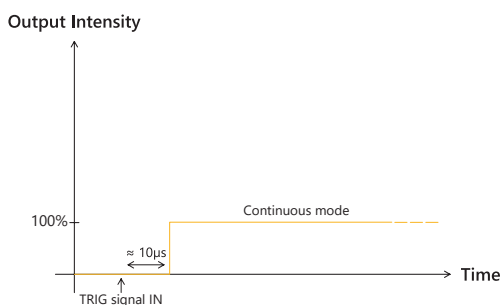
Mode selection consumption (pin1)	TRIG consumption (pins 3, 4, 5 and 6)
0.5mA max	0.1mA max on each pin

## AUTOSTROBE



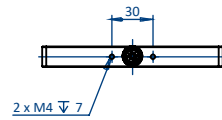
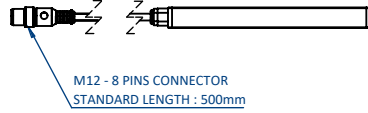
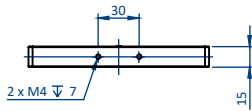
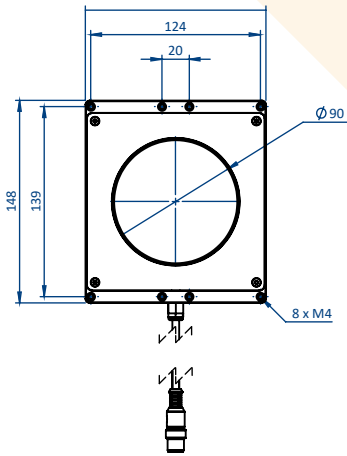
Please respect a duty cycle of 25% maximum. Duty cycle =  $(T_{ON} / (T_{ON} + T_{OFF}))$

## OPTION: CONTINUOUS VERSION

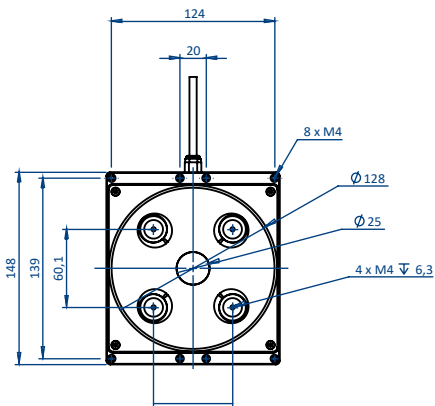
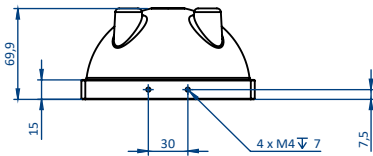
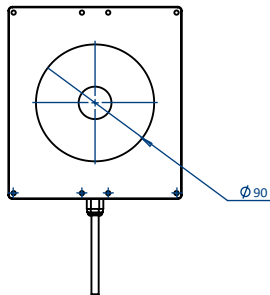


# MECHANICAL SPECIFICATIONS

## EFFI-SRING CONFIGURATION



## EFFI-SDOME CONFIGURATION



# ACCESSORIES

Please refer to the specific documentation for additional information on the accessories of the EFFI-SRING-SDOME.



**Extension cables**

### M12

2meters: EFFC-CAB-M12-FM-8-DD-L2

5meters: EFFC-CAB-M12-FM-8-DD-L5

10meters: EFFC-CAB-M12-FM-8-DD-L10



**SWITCH 4 Channel**

### M12

2meters: EFFC-CAB-M12-FM-5-DD-L2

5meters: EFFC-CAB-M12-FM-5-DD-L5

10meters: EFFC-CAB-M12-FM-5-DD-L10



**Camera mounting**

EFFM-1-HORI-STEEL-V2

EFFM-1-VERT-STEEL-V2

# CONTACT INFORMATION

Please refer to the specific documentation (datasheet, user manual and drawing) for complementary information. Contents of this document are based on information available as of April-2025 and may be changed without prior notice.



EFFILUX  
1, Rue de Terre Neuve  
Mini Parc du Verger - Bâtiment E  
91940 Les Ulis - FRANCE

Tel: +33 9 72 38 17 80

Fax: +33 9 72 11 21 69

Mail: sales@effilux.fr

Copyright 2022 Effilux - All rights Reserved